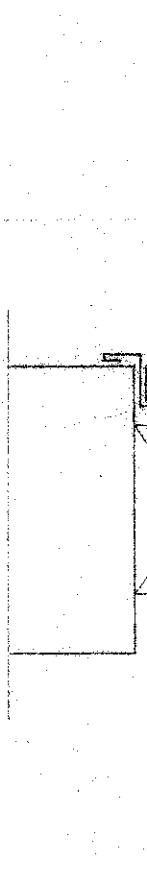
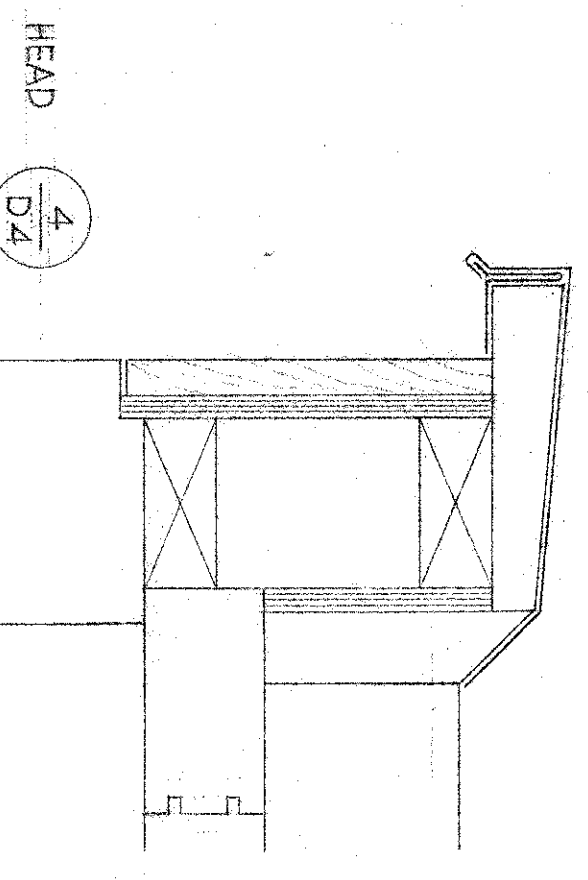
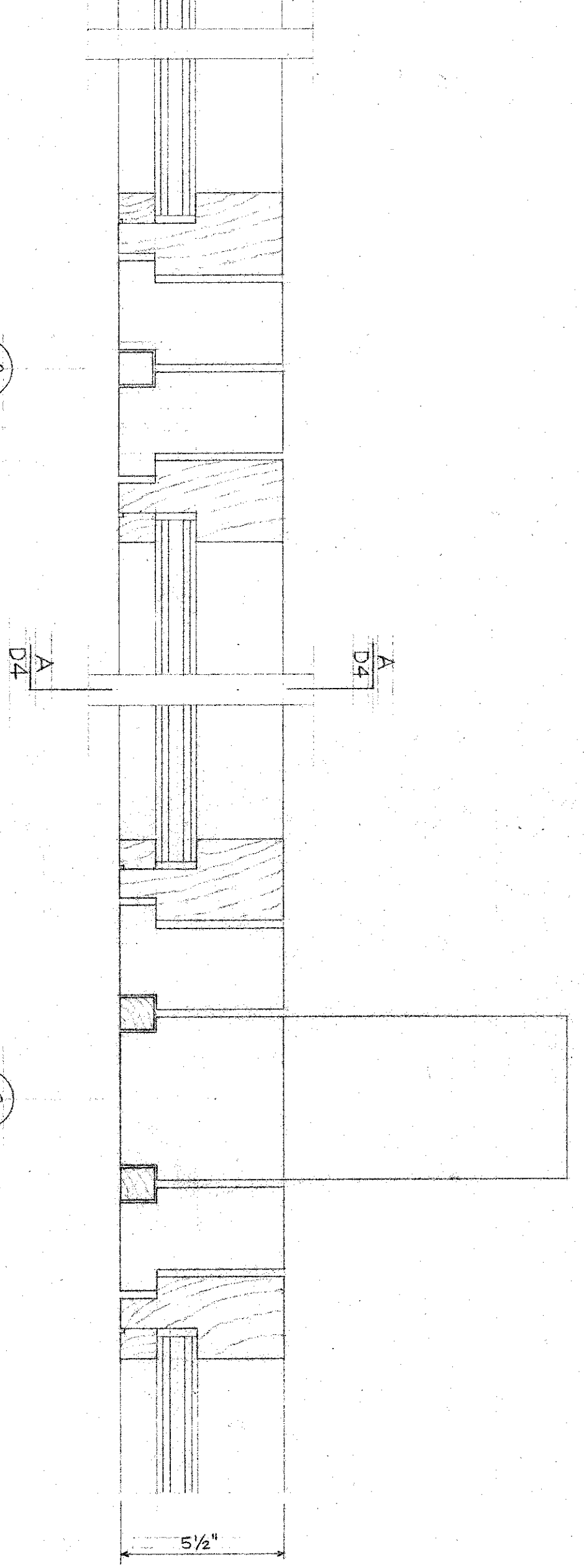


1 PLAN AT LIVING ROOM WINDOW

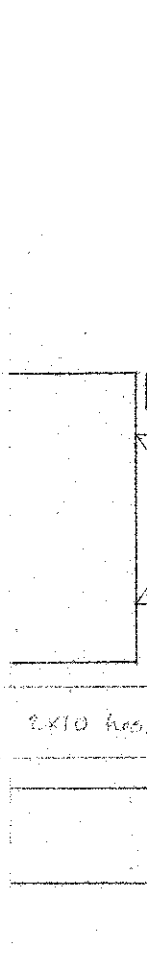
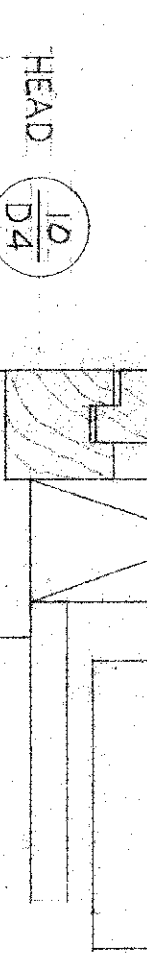
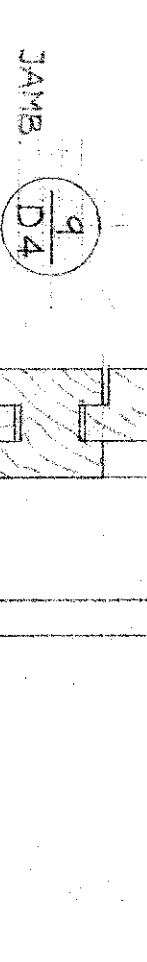
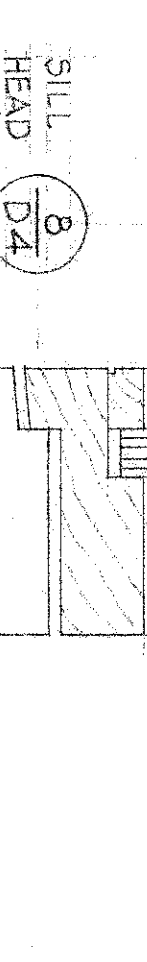
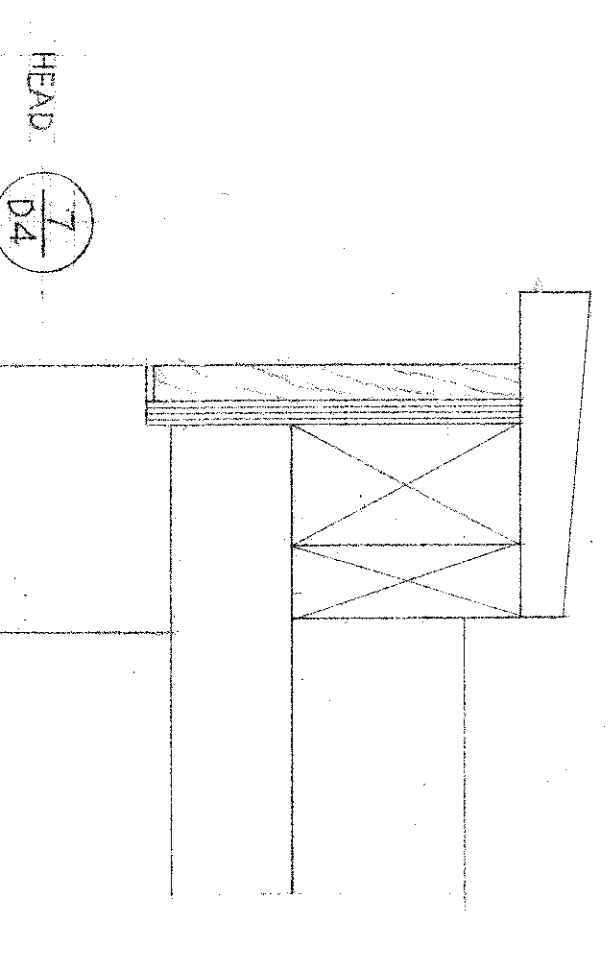
1 JAMB

2 JAMB

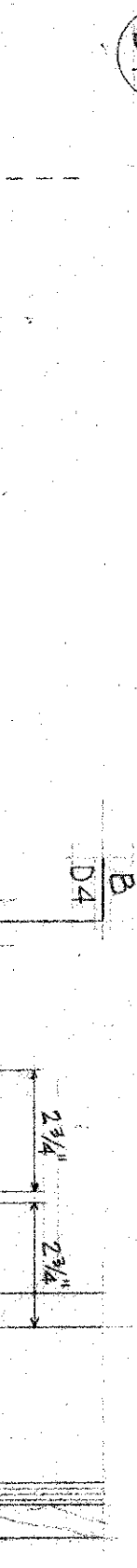
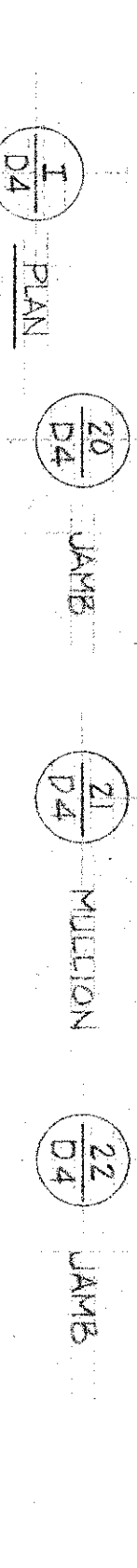
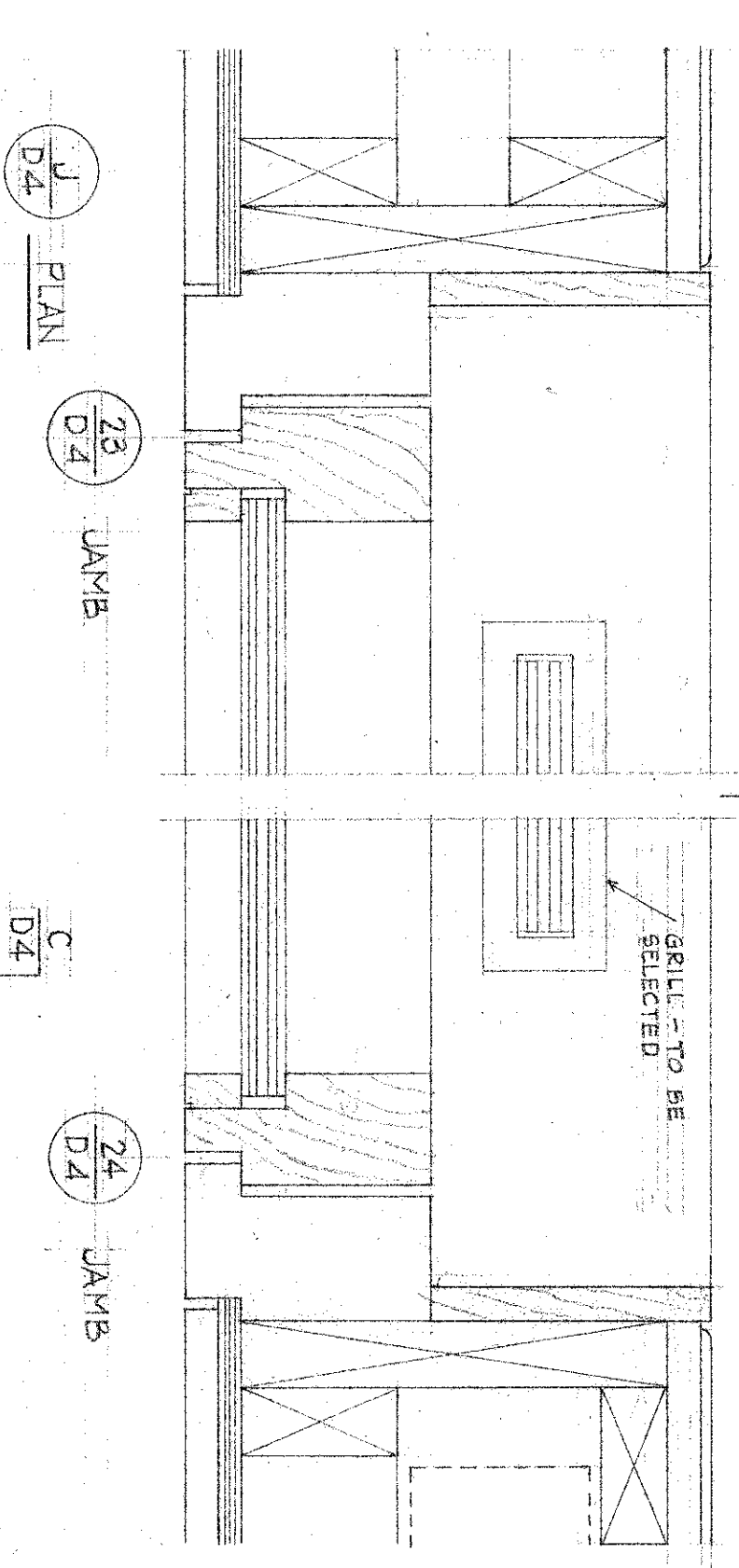
3 JAMB



SECTION



SECTION



PLAN

PLAN

PLAN

PLAN

PLAN

PLAN

JAMB

JAMB

JAMB

JAMB

JAMB

JAMB

JAMB

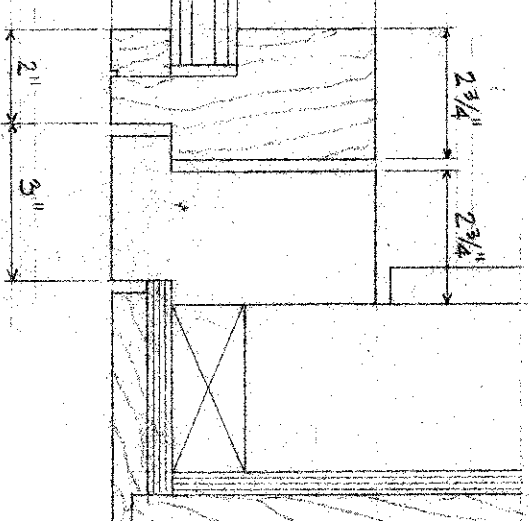
JAMB

JAMB

JAMB

JAMB

JAMB



NOTE
 1. SUBMIT SHOP DRAWINGS FOR APPROVAL BY ARCHITECT FOR ALL MILL WORK.
 2. ALL FRAMES, SASH, AND PANELS MADE OF KILN DRIED CYPRESS.

WINDOW DETAILS
 HOUSE FOR MR. J. M. KOPPEL
 1801 WALKER ST. PHILADELPHIA, PENNSYLVANIA
 DATE: JAN. 9, 1925
 SCALE: 3/4" = 1'-0"